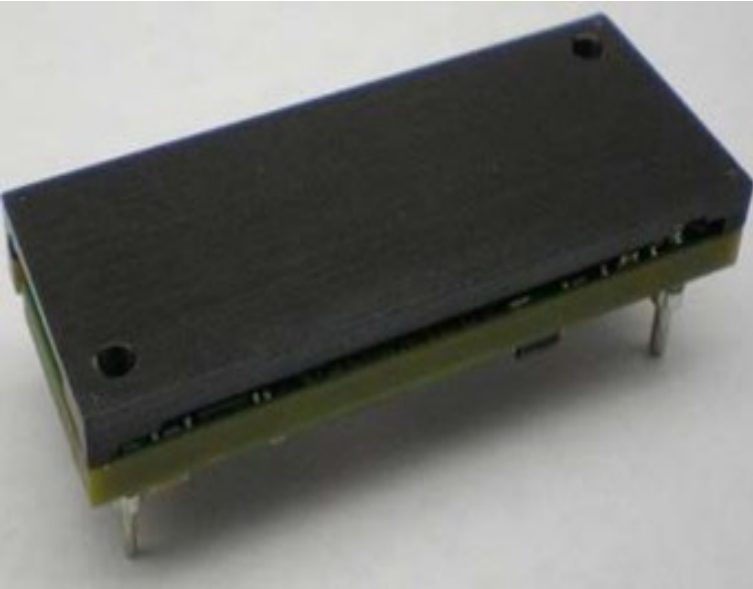


# EBVE031A0S9R6 Barracuda\* Series; DC-DC Converter Power Modules

**38-55V<sub>dc</sub> Input; 9.6V<sub>dc</sub>, 31.0A, 300W Output**

RoHS Compliant



## Description

The EBVE031A0S9R6 Barracuda series of dc-dc converters are a new generation of fully regulated DC/DC power modules designed to support 9.6V<sub>dc</sub> intermediate bus applications where multiple low voltages are subsequently generated using point of load (POL) converters, as well as other application requiring a tightly regulated output voltage. The EBVE031A0S9R6 series operate from an input voltage range of 38 to 55V<sub>dc</sub> and provide up to 31.0A output current at output voltages of 9.6V<sub>dc</sub> in an industry standard, DOSA compliant quarter brick.

The converter incorporates digital control, synchronous rectification technology, a fully regulated control topology, and innovative packaging techniques to achieve efficiency exceeding 96.1% at 9.6V output. This leads to lower power dissipations such that for many applications a heat sink is not required. Standard features include on/off control, output overcurrent and over voltage protection, over temperature protection, input under and over voltage lockout.

The output is fully isolated from the input, allowing versatile polarity configurations and grounding connections. Built-in filtering for both input and output minimizes the need for external filtering.

## Applications

- Distributed power architectures
- Intermediate bus voltage applications
- Servers and storage applications
- Fan assemblies and other systems requiring a tightly regulated output voltage

See Footnote on Page No. 2

## Features

- Compliant to RoHS Directive 2011/65/EU and amended Directive (EU) 2015/863.(-Z versions)
- Compliant to REACH Directive (EC) No 1907/2006
- Can be processed with paste-through-hole Pb or Pb-free reflow process
- High full load efficiency >96.1% at  $V_{in}=48V_{dc}$
- Input voltage range: 38-55 $V_{dc}$
- Delivers up to 31.0 $A_{dc}$  output current
- Fully very tightly regulated output voltage
- Low output ripple and noise
- Industry standard, DOSA Compliant Quarter Brick: 58.4 mm x 22.8 mm x 12.2mm MAX (2.30 in x 0.90 in x 0.48 in, MAX)
- Constant switching frequency
- Positive Remote On/Off logic
- Output over current/voltage protection
- Over temperature protection
- Wide operating temperature range -5°C to 55°C, continuous, 100% load,  $\geq 1.0m/s$  [200LFM]  
-20°C to 70°C, short term,  $\leq 96hrs/year$ , 100% load  
-5°C to 85°C, continuous, derated load
- ANSI/UL\* 62368-1 and CAN/CSA† C22.2 No. 62368-1 Recognized, DIN VDE‡ 0868-1/A11:2017 (EN62368-1:2014/A11:2017)
- CE mark to 2006/96/EC directive<sup>§</sup>
- 750 $V_{dc}$  Functional Isolation
- ISO\*\* 9001 and ISO14001 certified manufacturing facilities
- Negative Remote On/Off logic (1=option code, factory preferred)
- Passive Droop Load Sharing (-P=option code)
- Base Plate (-H=option code)
- Auto-restart after fault shutdown (4=option code, factory preferred)

### FOOTNOTES

\*Trademark of OmniOn

# UL is a registered trademark of Underwriters Laboratories, Inc.

† CSA is a registered trademark of Canadian Standards Association.

‡ VDE is a trademark of Verband Deutscher Elektrotechniker e.V.

§ This product is intended for integration into end-user equipment. All of the required procedures of end-use equipment should be followed.

\*\* ISO is a registered trademark of the International Organization of Standards.

## Technical Specifications

### Absolute Maximum Ratings

Stresses in excess of the absolute maximum ratings can cause permanent damage to the device. These are absolute stress ratings only, functional operation of the device is not implied at these or any other conditions in excess of those given in the operations sections of the Data Sheet. Exposure to absolute maximum ratings for extended periods can adversely affect device reliability.

Parameter	Device	Symbol	Min	Max	Unit
Input Voltage*					
Continuous		$V_{IN}$	-0.3	55	$V_{dc}$
Non- operating continuous		$V_{IN}$		64	$V_{dc}$
Continuous Operating Ambient Temperature, 100% Load, Airflow $\geq 1.0\text{m/s}$ [200LFM], $V_{IN} = 38$ to 55V	All	$T_A$	-5	55	$^{\circ}\text{C}$
Short term Operating Ambient Temperature, 100% Load, $\leq 96\text{hrs/year}$ ; Airflow $\geq 1.0\text{m/s}$ [200LFM], $V_{IN} = 38$ to 55V		$T_A$	-20	70	$^{\circ}\text{C}$
Continuous Derated Operating Ambient Temperature (See Thermal Considerations section)		$T_A$	-	85	$^{\circ}\text{C}$
Storage Temperature	All	$T_{stg}$	-40	125	$^{\circ}\text{C}$
I/O Isolation Voltage (100% factory Hi-Pot tested)	All	-	-	750	$V_{dc}$

\* Input over voltage protection will shutdown the output voltage, when the input voltage exceeds threshold level.

### Electrical Specifications

Unless otherwise indicated, specifications apply over all operating input voltage, resistive load, and temperature conditions.

Parameter	Device	Symbol	Min	Typ	Max	Unit
Operating Input Voltage		$V_{IN}$	38	42/50	55	$V_{dc}$
Maximum Input Current ( $V_{IN} = 38\text{V}$ , $I_O = I_{O, max}$ )		$I_{IN, max}$	-	-	8.5	$A_{dc}$
Input No Load Current ( $V_{IN} = V_{IN, nom}$ , $I_O = 0$ , module enabled)	All	$I_{IN, No load}$		130		mA
Input Stand-by Current ( $V_{IN} = V_{IN, nom}$ , module disabled)	All	$I_{IN, stand-by}$			35	mA
External Input Capacitance	All		100	-	300	$\mu\text{F}$
Inrush Transient	All	$I^2t$	-	-	1	$A^2s$
Input Reflected Ripple Current, peak-to-peak (5Hz to 20MHz, $12\mu\text{H}$ source impedance; $V_{IN} = 48\text{V}$ , $I_O = I_{Omax}$ ; see Figure 9)	All		-	35	-	$\text{mA}_{p-p}$
Input Terminal Ripple Current (Measured at module input pin with maximum specified input capacitance and $< 500\mu\text{H}$ inductance between voltage source and input capacitance) 5Hz to 20MHz, $V_{IN} = 38\text{V}$ to 55V, $I_O = I_{Omax}$			-	-	300	$\text{mA}_{rms}$
Input Ripple Rejection (120Hz)	All		-	20	-	dB
Output Voltage Set-point ( $V_{IN} = V_{IN, nom}$ , $I_O = 16\text{A}$ , $T_A = 25^{\circ}\text{C}$ )	All	$V_{O, set}$	9.55	9.60	9.65	$V_{dc}$
Output Voltage (Over all operating input voltage (38V to 55V), resistive load, and temperature conditions until end of life)	-P Option	$V_O$	8.90	-	10.30	$V_{dc}$

## Technical Specifications (continued)

### Electrical Specifications (continued)

**CAUTION: This power module is not internally fused. An input line fuse must always be used.**

This power module can be used in a wide variety of applications, ranging from simple standalone operation to an integrated part of sophisticated power architecture. To preserve maximum flexibility, internal fusing is not included, however, to achieve maximum safety and system protection, always use an input line fuse. The safety agencies require a fast-acting fuse with a maximum rating of 15A in the ungrounded input lead of the power supply (see Safety Considerations section). Based on the information provided in this Data Sheet on inrush energy and maximum dc input current, the same type of fuse with a lower rating can be used. Refer to the fuse manufacturer's Data Sheet for further information.

Parameter	Device	Symbol	Min	Typ	Max	Unit
Output Regulation						
Line ( $V_{IN}=40V$ to $V_{IN,max}$ )	All		-	0.3	-	% $V_{O,set}$
Load ( $I_O=I_{O,min}$ to $I_{O,max}$ ), International Droop	-P Option			0.20	-	% $V_{dc}$
Temperature ( $T_A = -5^{\circ}C$ to $+85^{\circ}C$ )	All		-	-	0.02	%/ $^{\circ}C$
Output Ripple and Noise on nominal output ( $V_{IN}=V_{IN,nom}$ and $I_O=I_{O,min}$ to $I_{O,max}$ ) $C_O=750\mu F$						
RMS (5Hz to 20MHz bandwidth)	All		-	70	-	mVrms
Peak-to-Peak (5Hz to 20MHz bandwidth)	All		-	-	150	mVpk-pk
External Output Capacitance						
$C_O > 1,875\mu F$ , $I_O$ must be $< 35\% I_{O,max}$ during $T_{rise}$ . When 2 or more modules are in parallel	All -P option	$C_{O,max}$	0	-	3750	$\mu F$
			0		7500	$\mu F$
Output Current	All	$I_O$	0	-	31.0	$A_{dc}$
Output Current Limit Inception	All	$I_{O,lim}$	34.1	-	43.4	$A_{dc}$
Output Power	All	$P_O$	0	-	300	W
Efficiency						
( $V_{IN}=V_{IN,nom}$ , $T_A=25^{\circ}C$ )						
$I_O=100\% I_{O,max}$ , $V_O=V_{O,set}$	All	$\eta$		96.1		%
$I_O=50\% I_{O,max}$ to $100\% I_{O,max}$ , $V_O=V_{O,set}$	All	$\eta$		95.4		%
Switching Frequency (primary FETs)		$f_{sw}$		250		kHz
Dynamic Load Response						
( $di_O/dt=1A/\mu s$ ; $V_{in}=V_{in,nom}$ ; $T_A=25^{\circ}C$ ; (tested with a 1.0 $\mu F$ ceramic and 1200 $\mu F$ capacitor across the load.)						
Load Change from $I_O=50\%$ to $75\%$ of $I_{O,max}$ :						
Peak Deviation	All	$V_{pk}$	-	350	-	mV $_{pk}$
Settling Time ( $V_O<10\%$ peak deviation)		$T_s$	-	700	-	$\mu s$
Load Change from $I_O=75\%$ to $50\%$ of $I_{O,max}$ :						
Peak Deviation	All	$V_{pk}$	-	350	-	mV $_{pk}$
Settling Time ( $V_O<10\%$ peak deviation)		$t_{ss}$	-	700	-	$\mu s$

### Isolation Specifications

Parameter	Symbol	Min	Typ	Max	Unit
Isolation Capacitance	$C_{iso}$	-	0.01	-	$\mu F$

### General Specifications

Parameter	Device	Symbol	Min	Typ	Max	Unit
Calculated Reliability based upon Telcordia SR-332 Issue 2: Method I Case 3 ( $I_O=80\%I_{O,max}$ , $T_A=40^{\circ}C$ , airflow = 200)	All	MTBF	1M			Hours
	All	FIT				$10^9$ /Hours
Weight - with baseplate option				41.0 (1.44)		g (oz.)

## Technical Specifications (continued)

### Feature Specifications

Unless otherwise indicated, specifications apply over all operating input voltage, resistive load, and temperature conditions. See Feature Descriptions for additional information.

Parameter	Device	Symbol	Min	Typ	Max	Unit
Remote On/Off Signal Interface $V_{IN}=V_{IN, min}$ to $V_{IN, max}$ , Signal referenced to $V_{IN-}$ terminal) (Negative Logic: device code suffix "1" Logic Low = module On, Logic High = module Off Positive Logic: No device code suffix required Logic Low = module Off, Logic High = module On Logic Low Specification On/Off Thresholds: Remote On/Off Current – Logic Low ( $V_{in}=55V$ ) Logic Low Voltage Logic High Voltage – (Typ = Open Collector) Logic High maximum allowable leakage current ( $V_{on/off} = 2.4V$ ) Maximum voltage allowed on On/Off pin	All	$I_{on/off}$	-	-	200	$\mu A$
	All	$V_{on/off}$	-0.3	-	0.8	$V_{dc}$
	All	$V_{on/off}$	2.4	-	14.5	$V_{dc}$
	All	$I_{on/off}$	-	-	130	$\mu A$
	All	$V_{on/off}$	-	-	14.5	$V_{dc}$
Turn-on Delay and Rise Time ( $I_O=I_{O, max}$ )  $T_{delay}$ =Time until $V_O = 10\%$ of $V_{O, set}$ from either application of $V_{in}$ with Remote On/Off set to On (Enable with $V_{in}$ );  or operation of Remote On/Off from Off to On with $V_{in}$ already applied for at least 30 milli-seconds (Enable with on/off). *If prebias is detected, $T_{delay}$ will increase by an additional 5ms.	All w/ "P" option	$T_{delay, Enable}$ with $V_{in}$	-	-	15*	ms
	All w/ "P" option	$T_{delay, Enable}$ with $V_{in}$	-	-	10*	ms
$T_{rise}$ =Time for $V_O$ to rise from 10% to 90% of $V_{O, set}$ , For $C_O > 3750\mu F$ , $I_O$ must be $< 50\%$ $I_{O, max}$ during $T_{rise}$ .	All w/ "P" option	$T_{rise}$	-	-	15	ms
Output Overvoltage Protection	All	$V_{O, limit}$	12.0		14.0	$V_{dc}$
Maximum Long Term Reference Temperature (See Feature Descriptions and Figure 13)	All	$T_{ref}$	-	114	-	$^{\circ}C$
Input Undervoltage Lockout Turn-on Threshold			34	-	38	$V_{dc}$
Turn-off Threshold			32	-	36	$V_{dc}$
Hysteresis			2	-	-	$V_{dc}$
Input Overvoltage Lockout Turn-off Threshold			-	62	-	$V_{dc}$
Turn-on Threshold			-	60	-	$V_{dc}$

# Technical Specifications (continued)

## Characteristic Curves, 9.6V<sub>dc</sub> Output

The following figures provide typical characteristics for the EBVE031A0S9R6 (9.6V, 31.0A) at 25°C. The figures are identical for either positive or negative Remote On/Off logic.

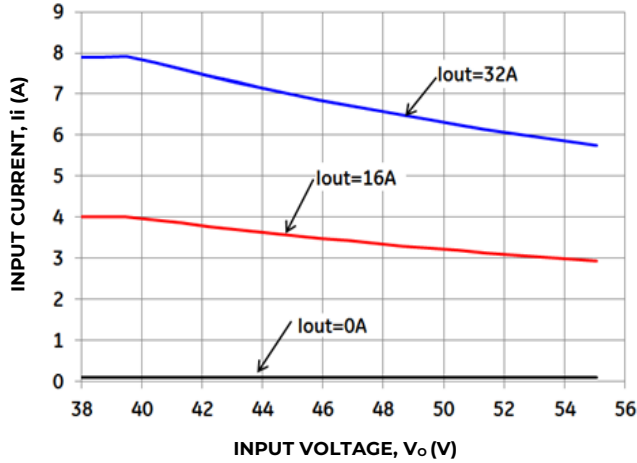


Figure 1. Typical Input Characteristic

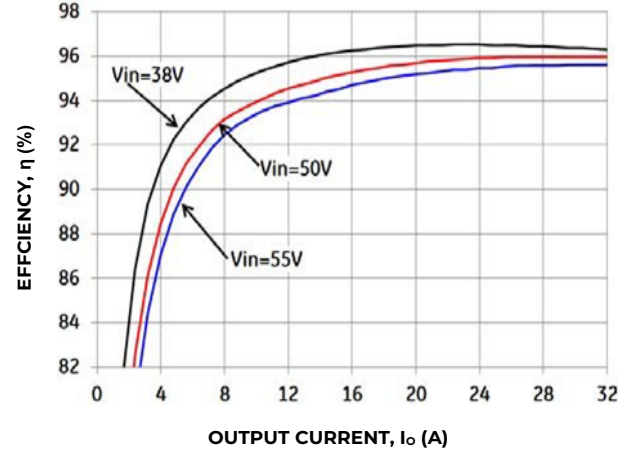


Figure 2. Typical converter Efficiency VS output current

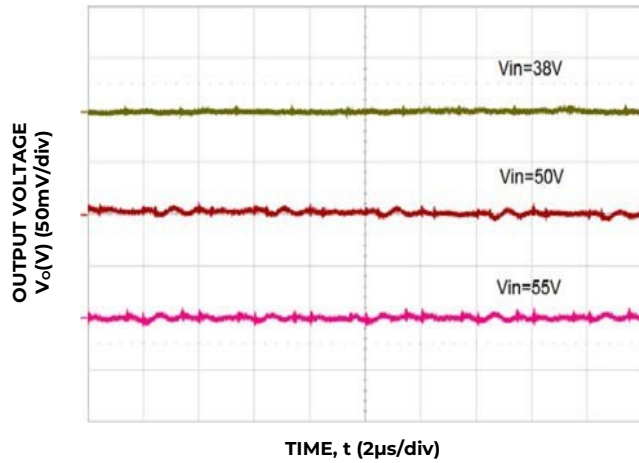


Figure 3. Typical Output Ripple and Noise,  $I_o = I_{o,max}$ ,  $C_o = 750\mu F$ .

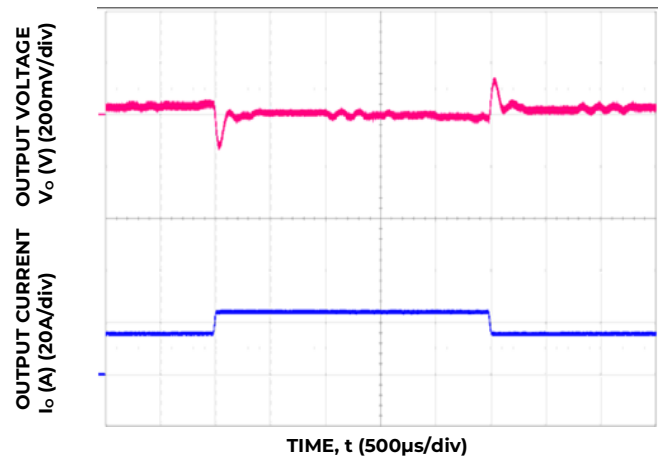


Figure 4. Typical Transient Response to 1A/μs Step Change in Load from 50% to 75% to 50% of Full Load,  $C_o = 1200\mu F$  and 50V<sub>dc</sub> Input.

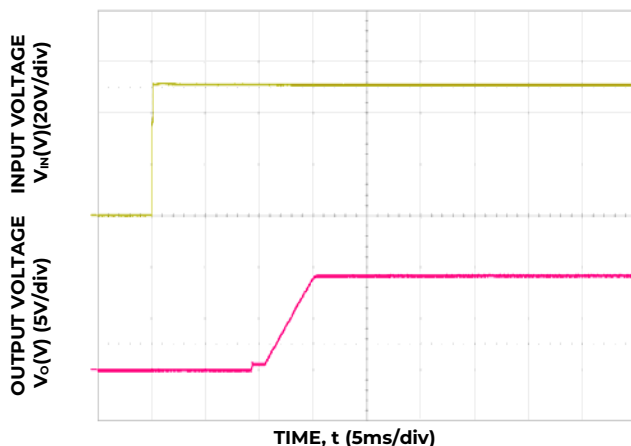


Figure 5. Typical Start-Up Using  $V_{in}$  with Remote On/Off enabled, negative logic version shown,  $I_o = I_{o,max}$ .

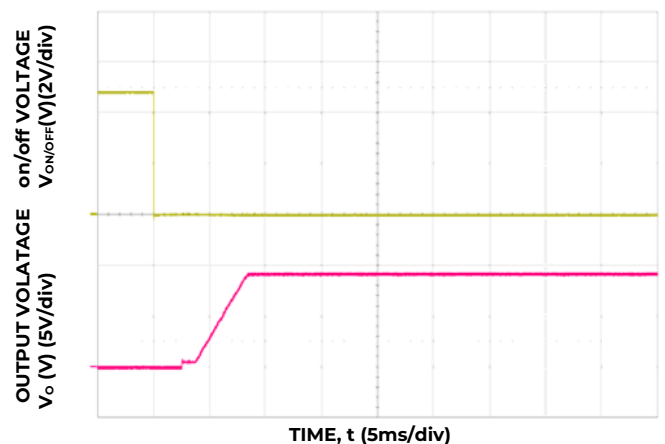


Figure 6. Typical Start-Up Using Remote On/Off with  $V_{in}$  applied, negative logic version shown  $I_o = I_{o,max}$ .

## Technical Specifications (continued)

### Characteristic Curves, 9.6V<sub>dc</sub> Output (continued)

The following figures provide typical characteristics for the EBVE031A0S9R6 (9.6V, 31.0A) at 25°C. The figures are identical for either positive or negative Remote On/Off logic.

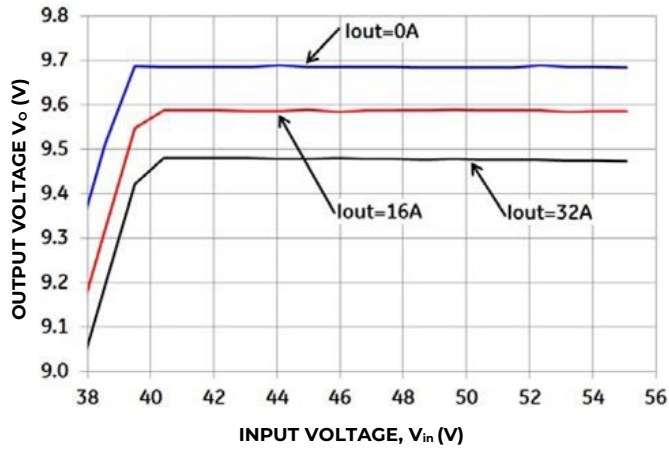


Figure 7. Typical Output Voltage Regulation vs. Input Voltage for the -P Version.

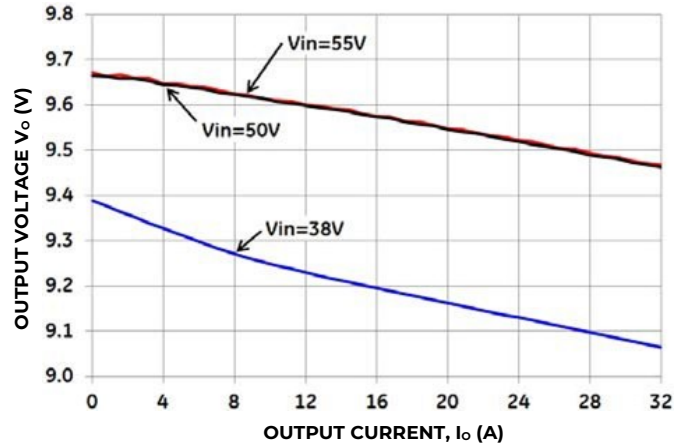
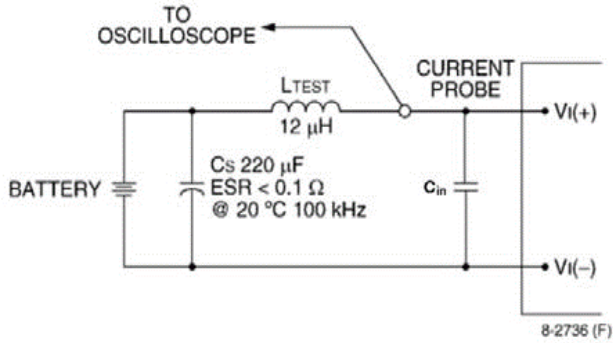


Figure 8. Typical Output Voltage Regulation vs. Output Current for the -P Version.

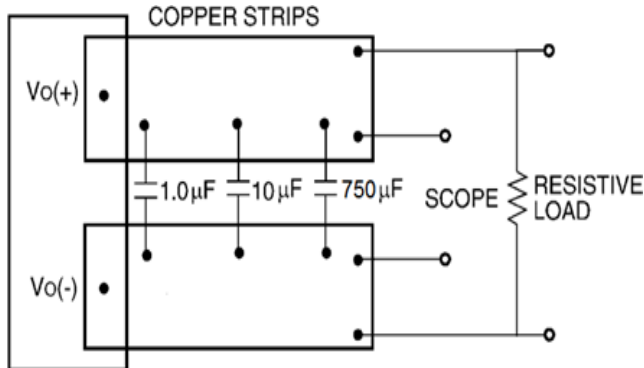
# Technical Specifications (continued)

## Test Configurations



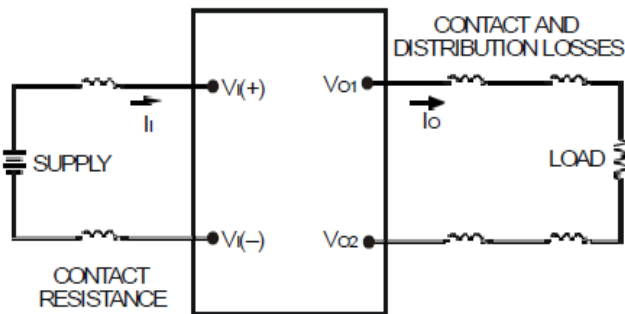
Note: Measure input reflected-ripple current with a simulated source inductance ( $L_{TEST}$ ) of 12  $\mu$ H. Capacitor  $C_S$  offsets possible battery impedance. Measure current as shown above.

Figure 9. Input Reflected Ripple Current Test Setup.



Note: Use a 1.0  $\mu$ F ceramic capacitor, a 10  $\mu$ F aluminum or tantalum capacitor and a 750  $\mu$ F polymer capacitor. Scope measurement should be made using a BNC socket. Position the load between 51 mm and 76 mm (2 in. and 3 in.) from the module.

Figure 10. Output Ripple and Noise Test Setup



**Note:** All measurements are taken at the module terminals. When socketing, place Kelvin connections at module terminals to avoid measurement errors due to socket contact resistance.

Figure 11. Output Voltage and Efficiency Test Setup.

$$\eta = \left( \frac{[V_o(+)-V_o(-)] I_o}{[V_i(+)-V_i(-)] I_o} \right) \times 100 \%$$

## Design Considerations

### Input Source Impedance

The power module should be connected to a low ac-impedance source. Highly inductive source impedance can affect the stability of the power module. For the test configuration in Figure 9, a 330 $\mu$ F electrolytic capacitor,  $C_{in}$ , (ESR<0.7 $\Omega$  at 100kHz), mounted close to the power module helps ensure the stability of the unit.

### Safety Considerations

For safety-agency approval of the system in which the power module is used, the power module must be installed in compliance with the spacing and separation requirements of the end-use safety agency standard, i.e., ANSI/UL\* 62368-1 and CAN/CSA† C22.2 No. 62368-1 Recognized, DIN VDE‡ 0868-1/A11:2017 (EN62368-1:2014/A11:2017)

If the input source is non-SELV (ELV or a hazardous voltage greater than 60  $V_{dc}$  and less than or equal to 75 $V_{dc}$ ), for the module's output to be considered as meeting the requirements for safety extra-low voltage (SELV), all of the following must be true:

- The input source is to be provided with reinforced insulation from any other hazardous voltages, including the ac mains.
- One  $V_{IN}$  pin and one  $V_{OUT}$  pin are to be grounded, or both the input and output pins are to be kept floating.
- The input pins of the module are not operator accessible.
- Another SELV reliability test is conducted on the whole system (combination of supply source and subject module), as required by the safety agencies, to verify that under a single fault, hazardous voltages do not appear at the module's output.

**Note:** Do not ground either of the input pins of the module without grounding one of the output pins. This may allow a non-SELV voltage to appear between the output pins and ground.



## Technical Specifications (continued)

### Safety Considerations (continued)

The power module has safety extra-low voltage (SELV) outputs when all inputs are SELV.

The input to these units is to be provided with a maximum 15A fast-acting (or time-delay) fuse in the ungrounded input lead.

### Feature Descriptions

#### Overcurrent Protection

To provide protection in a fault output overload condition, the module is equipped with internal current-limiting circuitry and can endure current limiting continuously. If the overcurrent condition causes the output voltage to fall greater than 3.5V from  $V_{o, set}$ , the module will shut down and remain latched off. The overcurrent latch is reset by either cycling the input power or by toggling the on/off pin for one second. If the output overload condition still exists when the module restarts, it will shut down again. This operation will continue indefinitely until the overcurrent condition is corrected.

A factory configured auto-restart option (with overcurrent and overvoltage auto-restart managed as a group) is also available. An auto-restart feature continually attempts to restore the operation until fault condition is cleared.

#### Remote On/Off

The module contains a standard on/off control circuit reference to the  $V_{IN(-)}$  terminal. Two factory configured remote on/off logic options are available. Positive logic remote on/off turns the module on during a logic-high voltage on the ON/OFF pin, and off during a logic low. Negative logic remote on/off turns the module off during a logic high, and on during a logic low. Negative logic, device code suffix "1," is the factory-preferred configuration. The On/Off circuit is powered from an internal bias supply, derived from the input voltage terminals. To turn the power module on and off, the user must supply a switch to control the voltage between the On/Off terminal and the  $V_{IN(-)}$  terminal ( $V_{on/off}$ ). The switch can be an open collector or equivalent (see Figure 12). A logic low is  $V_{on/off} = -0.3V$  to  $0.8V$ . The typical  $I_{on/off}$  during a logic low ( $V_{in}=48V$ , On/Off Terminal= $0.3V$ ) is  $147\mu A$ . The switch should maintain a logic- low voltage while sinking  $200\mu A$ . During a logic high, the maximum  $V_{on/off}$  generated by the power module is  $14.5V$ . The maximum allowable leakage current of the switch at  $V_{on/off} = 2.4V$  is  $130\mu A$ .

If using an external voltage source, the maximum voltage  $V_{on/off}$  on the pin is  $14.5V$  with respect to the  $V_{IN(-)}$  terminal.

If not using the remote on/off feature, perform one of the following to turn the unit on:

For negative logic, short ON/OFF pin to  $V_{IN(-)}$ . For positive logic: leave ON/OFF pin open.

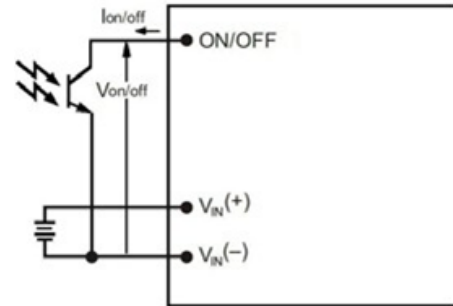


Figure 12. Remote On/Off Implementation.

#### Output Overvoltage Protection

The module contains circuitry to detect and respond to output overvoltage conditions. If the overvoltage condition causes the output voltage to rise above the limit in the Specifications Table, the module will shut down and remain latched off. The overvoltage latch is reset by either cycling the input power, or by toggling the on/off pin for one second. If the output overvoltage condition still exists when the module restarts, it will shut down again. This operation will continue indefinitely until the overvoltage condition is corrected.

A factory configured auto-restart option (with overcurrent and overvoltage auto-restart managed as a group) is also available. An auto-restart feature continually attempts to restore the operation until fault condition is cleared.

#### Overtemperature Protection

These modules feature an overtemperature protection circuit to safeguard against thermal damage. The circuit shuts down the module when the maximum device reference temperature is exceeded. The module will automatically restart once the reference temperature cools by  $\sim 25^{\circ}C$ .

#### Input Under/Over voltage Lockout

At input voltages above or below the input under/over voltage lockout limits, module operation is disabled. The module will begin to operate when the input voltage level changes to within the under and overvoltage lockout limits.

## Technical Specifications (continued)

### Feature Descriptions (continued)

#### Load Sharing

For higher power requirements, the EBVE031A0S9R6 power module offers an optional feature for parallel operation (-P Option code). This feature provides a precise forced output voltage load regulation droop characteristic. The output set point and droop slope are factory calibrated to insure optimum matching of multiple modules' load regulation characteristics. To implement load sharing, the following requirements should be followed:

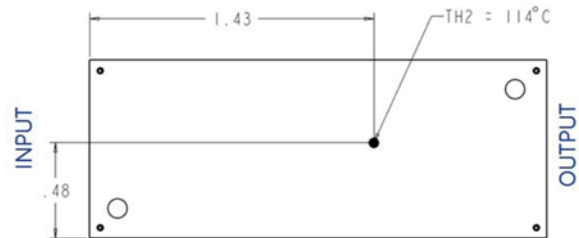
- The  $V_{OUT}(+)$  and  $V_{OUT}(-)$  pins of all parallel modules must be connected together. Balance the trace resistance for each module's path to the output power planes, to insure best load sharing and operating temperature balance.
- $V_{IN}$  must remain between  $40V_{dc}$  and  $55V_{dc}$  for droop sharing to be functional.
- It is permissible to use a common Remote On/Off signal to start all modules in parallel.
- These modules contain means to block reverse current flow upon start-up, when output voltage is present from other parallel modules, thus eliminating the requirement for external output ORing devices. Modules with the -P option may automatically increase the Turn On delay,  $T_{delay}$ , as specified in the Feature Specifications Table, if output voltage is present on the output bus at startup.
- When parallel modules startup into a pre-biased output, e.g. partially discharged output capacitance, the  $T_{rise}$  is automatically increased, as specified in the Feature Specifications Table, to insure graceful startup.
- Insure that the total load is  $<50\% I_{O,MAX}$  (for a single module) until all parallel modules have started (load full start  $>$  module  $T_{delay}$  time max +  $T_{rise}$  time).
- If fault tolerance is desired in parallel applications, output O-ring devices should be used to prevent a single module failure from collapsing the load bus

#### Thermal Considerations

The power modules operate in a variety of thermal environments and sufficient cooling should be provided to help ensure reliable operation.

Thermal considerations include ambient temperature, airflow, module power dissipation, and the need for increased reliability. A reduction in the operating temperature of the module will result in an increase in

reliability. The thermal data presented here is based on physical measurements taken in a wind tunnel. Heat-dissipating components are mounted on the top side of the module. Heat is removed by conduction, convection and radiation to the surrounding environment. Proper cooling can be verified by measuring the thermal reference temperature ( $T_{ref}$ ).



**Figure 13. Location of the thermal reference temperature  $T_{ref}$ .**

Peak temperature occurs at the position indicated in Figure 13. For reliable operation this temperature should not exceed  $T_{ref} = 114^{\circ}C$ . For extremely high reliability you can limit this temperature to a lower value. The output power of the module should not exceed the rated power for the module as listed in the Ordering Information table.

#### Heat Transfer via Convection

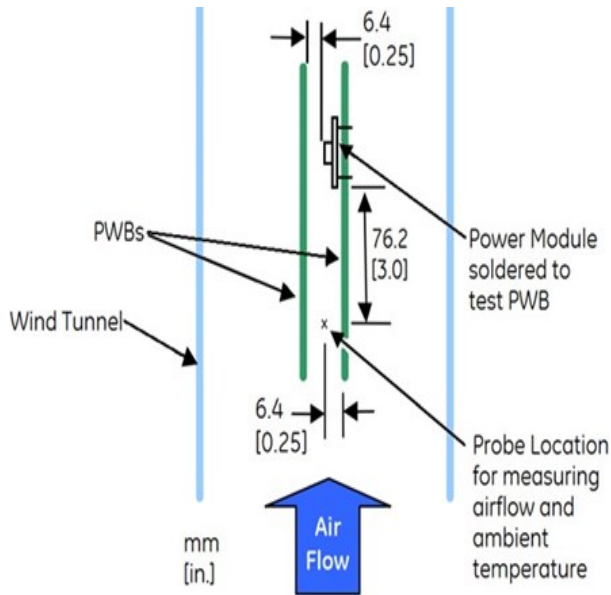
The thermal data presented here is based on physical measurements taken in a wind tunnel, using automated thermo-couple instrumentation to monitor key component temperatures: FETs, diodes, control ICs, magnetic cores, ceramic capacitors, opto-isolators, and module pwb conductors, while controlling the ambient airflow rate and temperature. For a given airflow and ambient temperature, the module output power is increased, until one (or more) of the components reaches its maximum derated operating temperature, as defined in IPC-9592B. This procedure is then repeated for a different airflow or ambient temperature until a family of module output derating curves is obtained.

Please refer to the Application Note "Thermal Characterization Process For Open-Frame Board-Mounted Power Modules" for a detailed discussion of thermal aspects including maximum device temperatures.

## Technical Specifications (continued)

### Feature Descriptions (continued)

#### Heat Transfer via Convection (continued)



**Figure 14. Thermal Test Setup.**

Increased airflow over the module enhances the heat transfer via convection. The thermal derating of figure 15- 20 shows the maximum output current that can be delivered by each module in the indicated orientation without exceeding the maximum  $T_{ref}$  temperature versus local ambient temperature ( $T_A$ ) for several air flow conditions.

# Technical Specifications (continued)

## Feature Descriptions (continued)

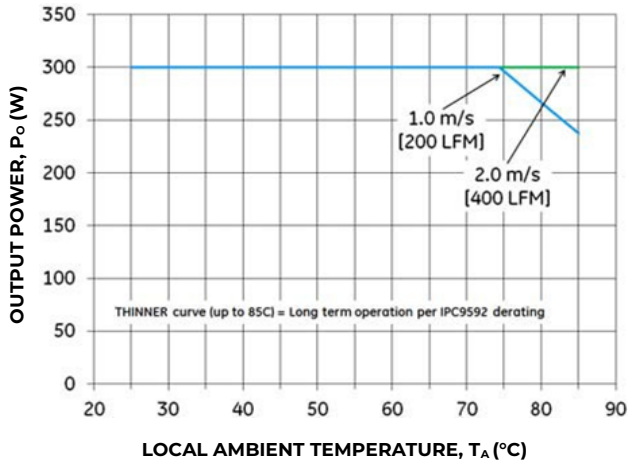


Figure 15. Output Power Derating for the EBVE031A0S9R6-H Base Plate Option in the Transverse Orientation; Airflow Direction from  $V_{in(-)}$  to  $V_{in(+)}$ ;  $V_{in} = 38$  to  $42V$ .

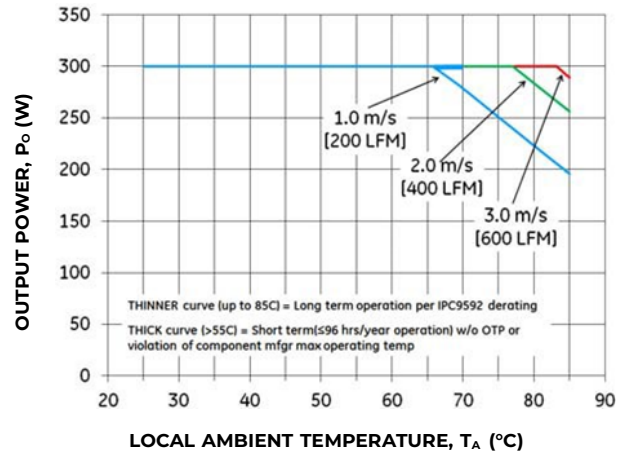


Figure 18. Output Power Derating for the EBVE031A0S9R6-H Base Plate Option in the Longitudinal Orientation; Airflow Direction from  $V_{out}$  or  $V_{in}$  edge;  $V_{in} = 38$  to  $42V$ .

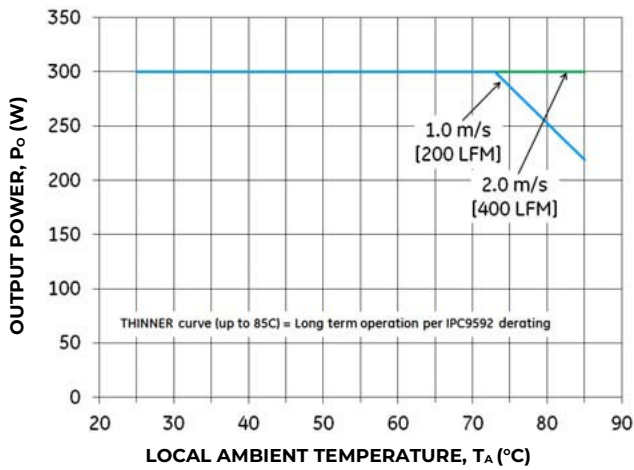


Figure 16. Output Power Derating for the EBVE031A0S9R6-H Base Plate Option in the Transverse Orientation; Airflow Direction from  $V_{in(-)}$  to  $V_{in(+)}$ ;  $V_{in} = 50V$ .

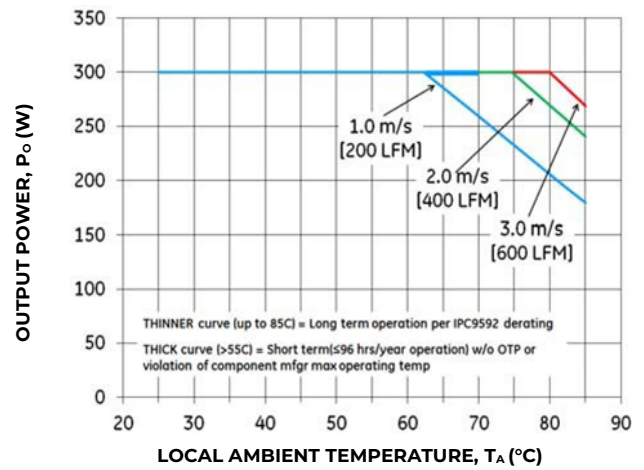


Figure 19. Output Power Derating for the EBVE031A0S9R6-H Base Plate Option in the Longitudinal Orientation; Airflow Direction from  $V_{out}$  or  $V_{in}$  edge;  $V_{in} = 50V$ .

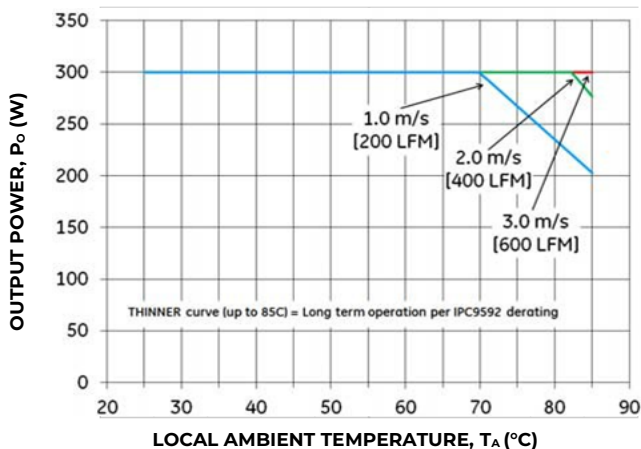


Figure 17. Output Power Derating for the EBVE031A0S9R6-H Base Plate Option in the Transverse Orientation; Airflow Direction from  $V_{in(-)}$  to  $V_{in(+)}$ ;  $V_{in} = 55V$ .

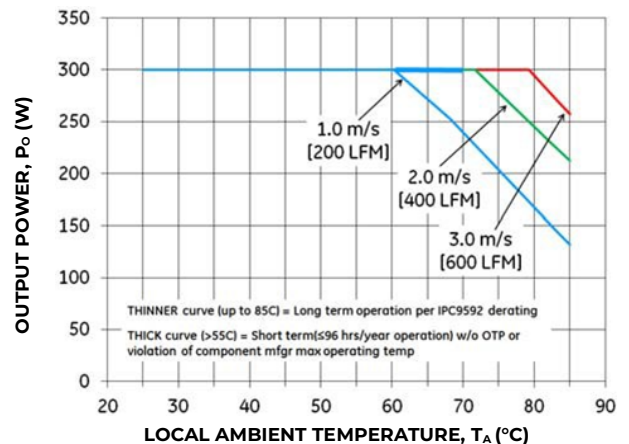


Figure 20. Output Power Derating for the EBVE031A0S9R6-H Base Plate Option in the Longitudinal Orientation; Airflow Direction from  $V_{out}$  or  $V_{in}$  edge;  $V_{in} = 55V$ .

## Technical Specifications (continued)

### Layout Considerations

The EBVE031A0S9R6 power module series are low profile in order to be used in fine pitch system card architectures. As such, component clearance between the bottom of the power module and the mounting board is limited. Avoid placing copper areas on the outer layer directly underneath the power module. Also avoid placing via interconnects underneath the power module.

For additional layout guide-lines, refer to FLT012A0Z Data Sheet.

### Through-Hole Lead-Free Soldering Information

The RoHS-compliant, Z version, through-hole products use the SAC (Sn/Ag/Cu) Pb-free solder and RoHS-compliant components. The module is designed to be processed through single or dual wave soldering machines. The pins have a RoHS-compliant, pure tin finish that is compatible with both Pb and Pb-free wave soldering processes. A maximum preheat rate of 3°C/s is suggested. The wave preheat process should be such that the temperature of the power module board is kept below 210°C. For Pb solder, the recommended pot temperature is 260°C, while the Pb-free solder pot is 270°C max.

### Reflow Lead-Free Soldering Information

The RoHS-compliant through-hole products can be processed with the following paste-through-hole Pb or Pb-free reflow process.

Max. sustain temperature :

251°C(J-STD-020C Table 4-2: Packaging Thickness  $\geq 2.5\text{mm}$  / Volume  $> 2000\text{mm}^3$ ),

Peak temperature over 251°C is not suggested due to the potential reliability risk of components under continuous high-temperature.

Min. sustain duration above 217°C : 90 seconds

Min. sustain duration above 180°C : 150 seconds

Max. heat up rate: 3°C/sec

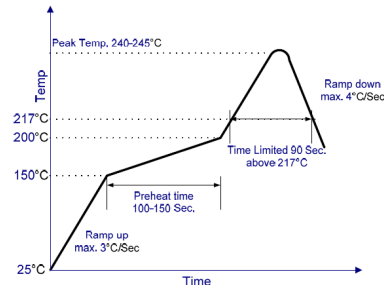
Max. cool down rate: 4°C/sec

In compliance with JEDEC J-STD-020C spec for 2 times reflow requirement.

### Pb-free Reflow Profile

BMP module will comply with J-STD-020 Rev. D (Moisture/Reflow Sensitivity Classification for Nonhermetic Solid State Surface Mount Devices) for both Pb-free solder profiles and MSL classification

procedures. BMP will comply with JEDEC J-STD-020C specification for 3 times reflow requirement. The suggested Pb-free solder paste is Sn/Ag/Cu (SAC). The recommended linear reflow profile using Sn/Ag/Cu solder is shown in Figure 21.



**Figure 21. Recommended linear reflow profile using Sn/Ag/Cu solder.**

### MSL Rating

The EBVE031A0S9R6 modules have a MSL rating of 2a.

### Storage and Handling

The recommended storage environment and handling procedures for moisture-sensitive surface mount packages is detailed in J-STD-033 Rev. A (Handling, Packing, Shipping and Use of Moisture/Reflow Sensitive Surface Mount Devices). Moisture barrier bags (MBB) with desiccant are required for MSL ratings of 2 or greater. These sealed packages should not be broken until time of use. Once the original package is broken, the floor life of the product at conditions of  $\leq 30^\circ\text{C}$  and 60% relative humidity varies according to the MSL rating (see J-STD-060A). The shelf life for dry packed SMT packages will be a minimum of 12 months from the bag seal date, when stored at the following conditions:  $< 40^\circ\text{C}$ ,  $< 90\%$  relative humidity.

### Post Solder Cleaning and Drying considerations

Post solder cleaning is usually the final circuit board assembly process prior to electrical board testing. The result of inadequate cleaning and drying can affect both the reliability of a power module and the testability of the finished circuit board assembly. For guidance on appropriate soldering, cleaning and drying procedures, refer to OmniOn Board Mounted Power Modules: Soldering and Cleaning Application Note (AN04-001).

If additional information is needed, please consult with your OmniOn Sales representative for more details.

# Technical Specifications (continued)

## EMC Considerations

The circuit and plots in Figure 22 shows a suggested configuration to meet the conducted emission limits of EN55032 Class A. For further information on designing for EMC compliance, please refer to the FLT012A0Z data sheet

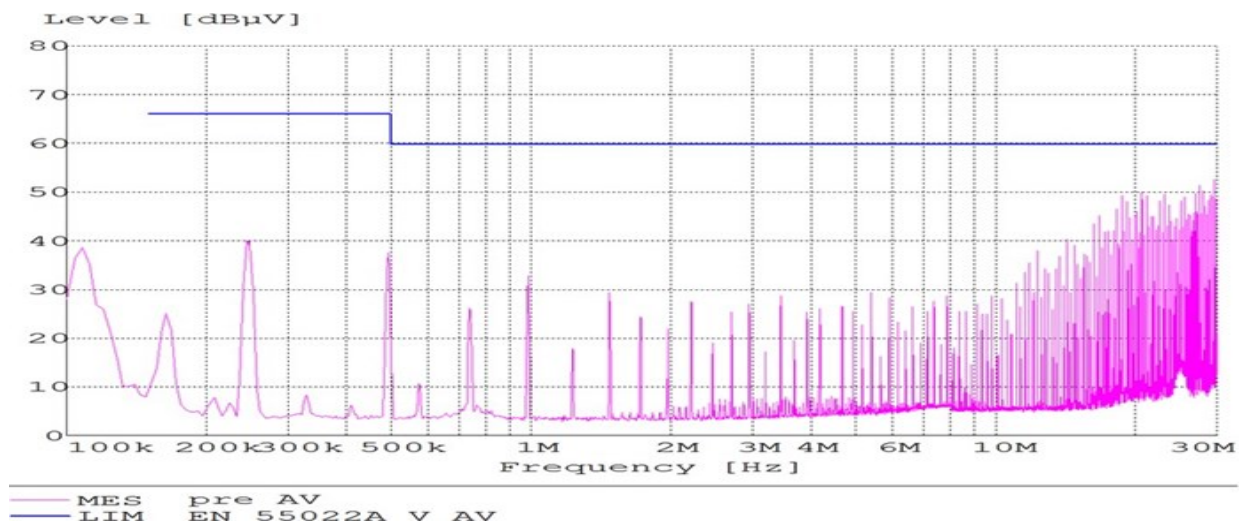
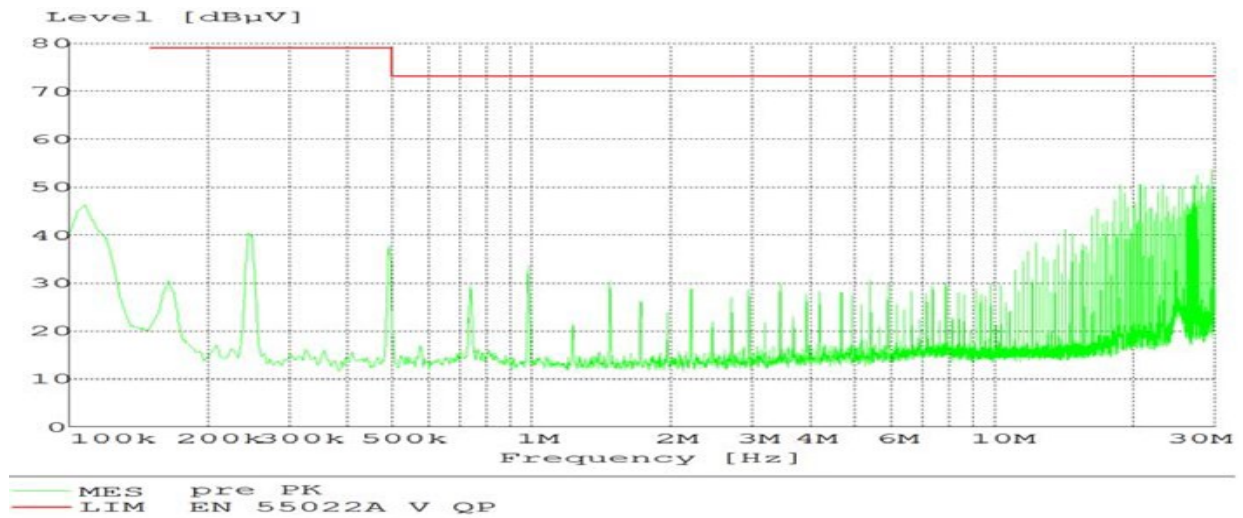
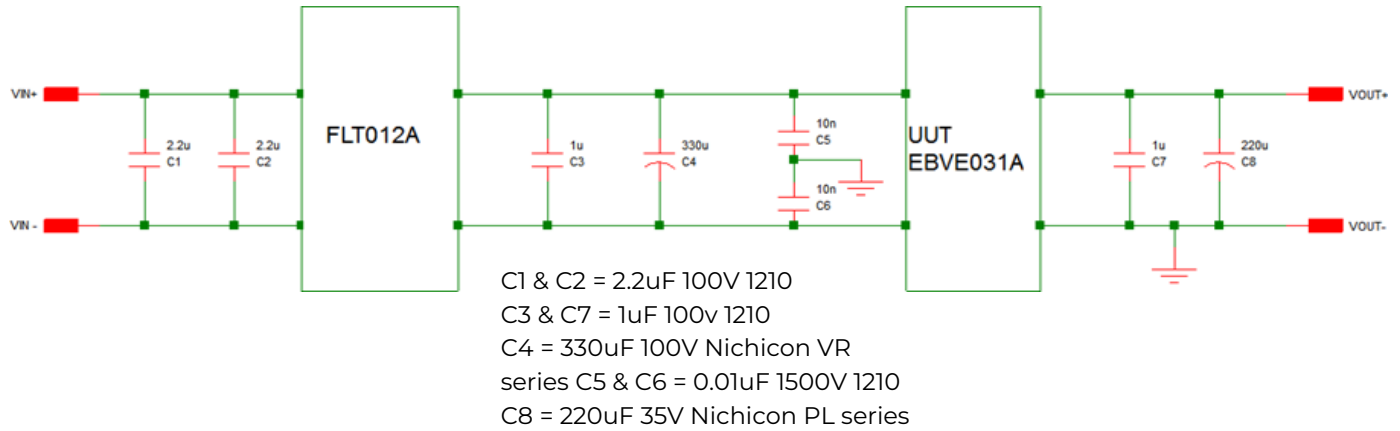


Figure 22. EMC Considerations.

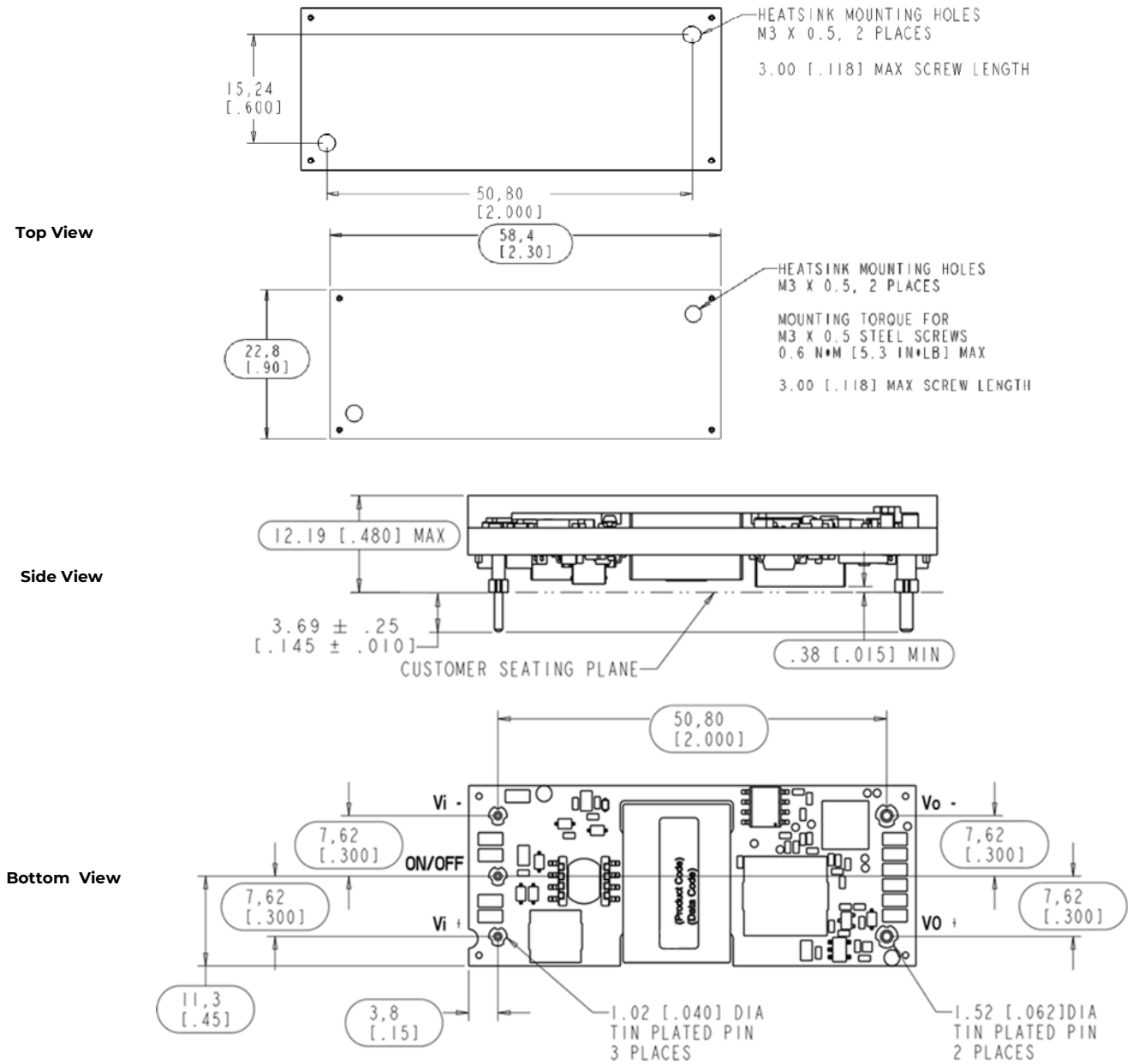
## Technical Specifications (continued)

### Mechanical Outline for EBVE031A0S9R6-H (Base Plate) Through-hole Module

Dimensions are in millimeters and [inches].

Tolerances: x.x mm ± 0.5 mm [x.xx in. ± 0.02 in.] (Unless otherwise indicated)

x.xx mm ± 0.25 mm [x.xxx in. ± 0.010 in.]



Pin Number	Pin Name
1	V <sub>IN</sub> (+)
2	ON/OFF
3	V <sub>IN</sub> (-)
4	V <sub>OUT</sub> (-)
8	V <sub>OUT</sub> (+)

## Technical Specifications (continued)

### Recommended Pad Layout

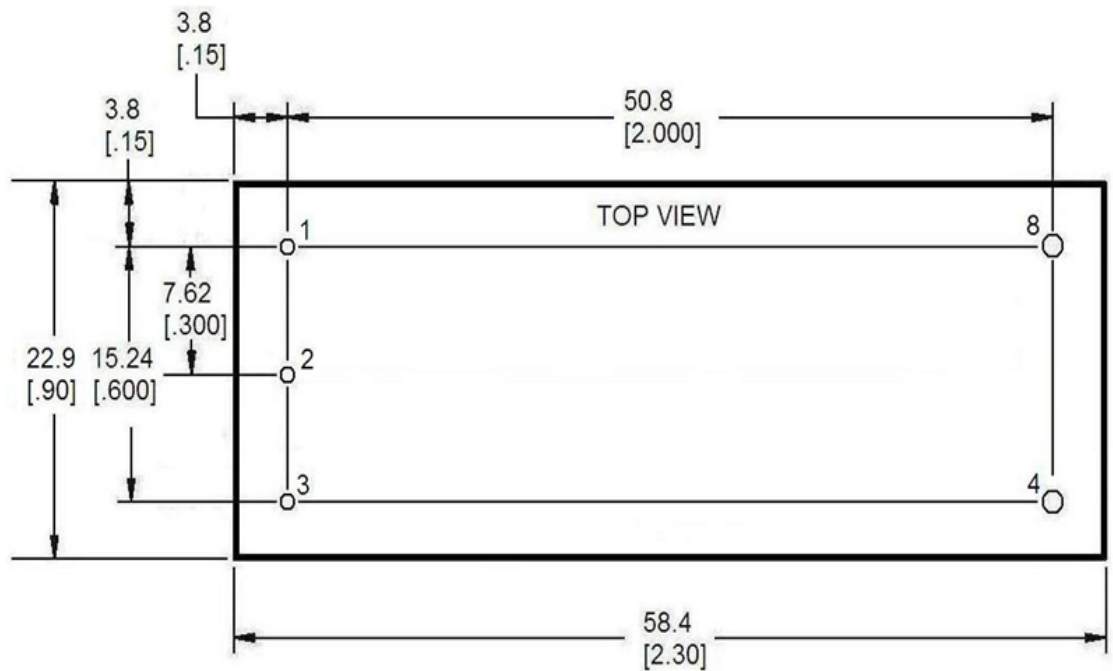
Dimensions are in millimeters and [inches].

Tolerances: x.x mm ± 0.5 mm [x.xx in. ± 0.02 in.] (Unless otherwise indicated)

x.xx mm ± 0.25 mm [x.xxx in. ± 0.010 in.]

### Through-Hole Modules

Pin Number	Pin name
1	V <sub>IN</sub> (+)
2	ON/OFF
3	V <sub>IN</sub> (-)
4	V <sub>OUT</sub> (-)
8	V <sub>OUT</sub> (+)



### Hole and Pad diameter recommendations:

Pin Number	Hole Dia (mm)	Pad Dia (mm)
1, 2, 3	1.6	2.1
4, 8	2.2	3.2



## Technical Specifications (continued)

### Packaging Details

All versions of the EBVE031A0S9R6 are supplied as standard in the plastic trays shown in Figure 23

### Tray Specification

Material PET (1mm)  
 Max surface resistivity  $10^9 - 10^{11} \Omega/\text{PET}$   
 Color Clear  
 Capacity 18 power modules

Standard packing quantity 36 pcs (1 box of 2 full trays + 1 empty top tray)

Each tray contains a total of 12 power modules. The trays are self-stacking and each shipping box for the EBVE031A0S9R6 module contains 2 full trays plus one empty hold-down tray giving a total number of 36 power module

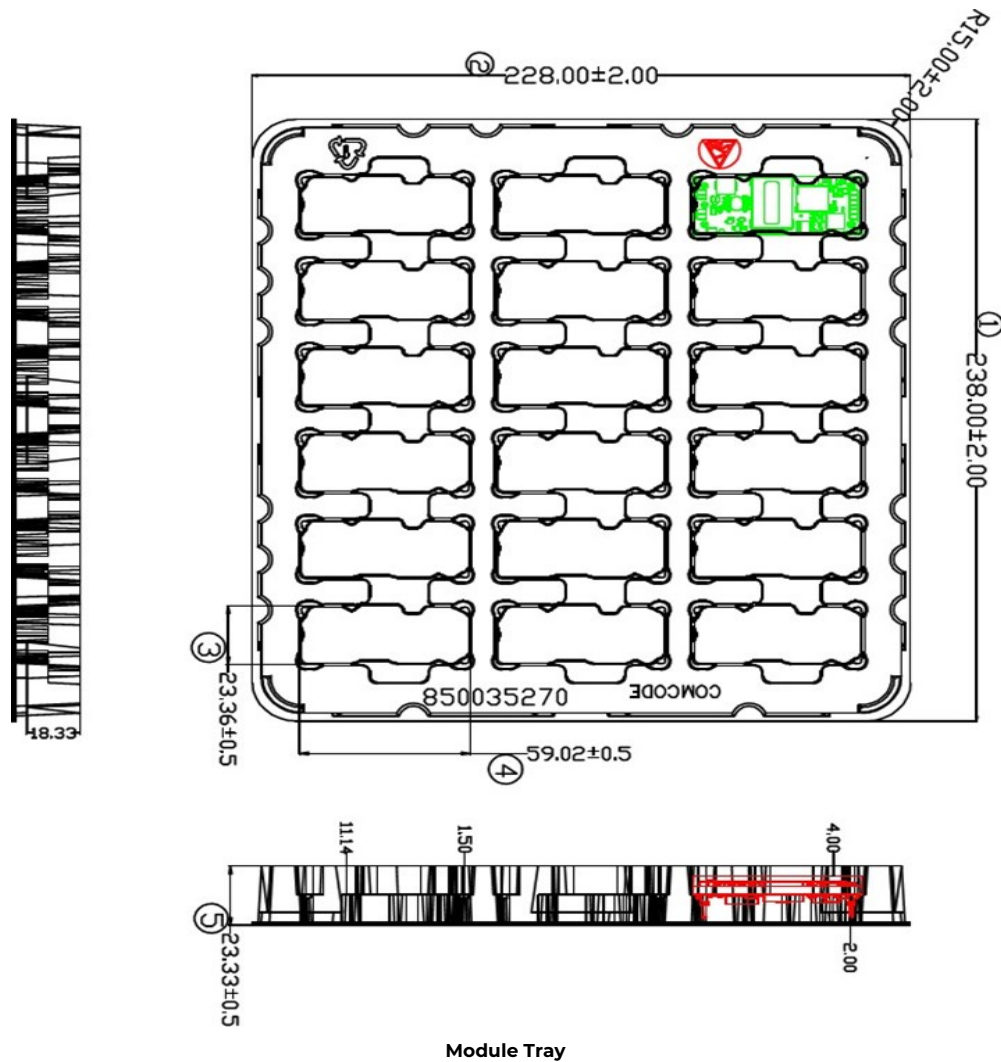


Figure 23. EBVE031A0S9R6 Packaging Tray

## Technical Specifications (continued)

### Ordering Information

Please contact your OmniOn Sales Representative for pricing, availability and optional features.

Product Code	Input	Output Voltage	Output	Efficiency	Connector Type	Ordering Code
EBVE031A0S9R6641-PHZ	42/50V (38-55V <sub>dc</sub> )	9.6V	31.0A	96.1%	Through hole	150033035

Table 1. Device Codes

	Characteristic	Character	and	Position	Definition	
Ratings	Form Factor	<b>E</b>			<b>E</b> = Eight Brick	
	Family Designator	<b>BV</b>			<b>BV</b> = BARRACUDA Series, without PMBus interface	
	Input Voltage	<b>E</b>			<b>E</b> = Modern Telecom Range, 50V (38V-55V)	
	Output Power		<b>031A0</b>		<b>031A0</b> = 031.0 Amps Maximum Output Current	
	Output Voltage			<b>S9R6</b>	<b>S9R6</b> =9.6V nominal	
Options	Pin Length			<b>6</b>	<b>6</b> = Pin Length: 3.68 mm ± 0.25mm , (0.145 in. ± 0.010 in.)	
	Action following Protective Shutdown			<b>4</b>	<b>4</b> = Auto restart following shutdown (overcurrent/ overvoltage)	
	On/ Off Logic			<b>1</b>	<b>1</b> = Negative Logic	
					<b>-</b>	
	Features				<b>P</b>	<b>P</b> = Forced Droop Output for use in parallel application (must be ordered) <b>H</b> = Heat plate, for use with heat sinks or cold-walls (must be ordered)
RoHS					<b>Z</b> <b>Z</b> = RoHS Compliant	

Table 2. Device Options

### Contact Us

For more information, call us at

1-877-546-3243 (US)

1-972-244-9288 (Int'l)

## Change History (excludes grammar & clarifications)

Revision	Date	Description of the change
1.3	04/14/2022	Updated as per template and ROHS
1.4	12/07/2023	Updated as per OmniOn template

**OmniOn Power Inc.**

601 Shiloh Rd.  
Plano, TX USA

[omnionpower.com](http://omnionpower.com)

We reserve the right to make technical changes or modify the contents of this document without prior notice. OmniOn Power does not accept any responsibility for errors or lack of information in this document and makes no warranty with respect to and assumes no liability as a result of any use of information in this document.

We reserve all rights in this document and in the subject matter and illustrations contained therein. Any reproduction, disclosure to third parties or utilization of its contents – in whole or in parts – is forbidden without prior written consent of OmniOn Power. This document does not convey license to any patent or any intellectual property right. Copyright© 2023 OmniOn Power Inc. All rights reserved.